

# BLANKET BLASTER™

## AN EDGE/SKYLINE, WITH A TIGHTER, SPACE SAVING DESIGN

BLANKET BLASTER™ cornerless blanket feeding/folding/stacking system has the fastest throughput, best piece-per-labor-hour rate, and the best finished stacked linen quality in the industry.

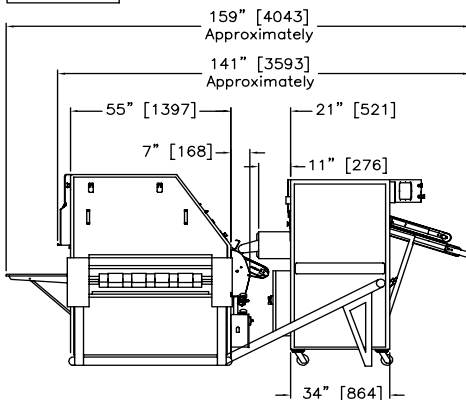
Blanket Blaster offers the same great features and efficiency as the Edge/Skyline two piece blanket finishing system, while saving an additional three to four feet of depth of precious floor space. Blanket Blaster offers the labor efficiency of the original Edge combined with a Skyline Blanket Folder to form a space-saving complete system for dry finishing. State-of-the-art heavy duty first crossfold blade and reversing conveyor crossfold section efficiently handle a wide variety of thicknesses and weights. The system will feed, fold and stack linen up to 120" (3050mm) wide (consult factory for availability of wider models).

### NOTE:

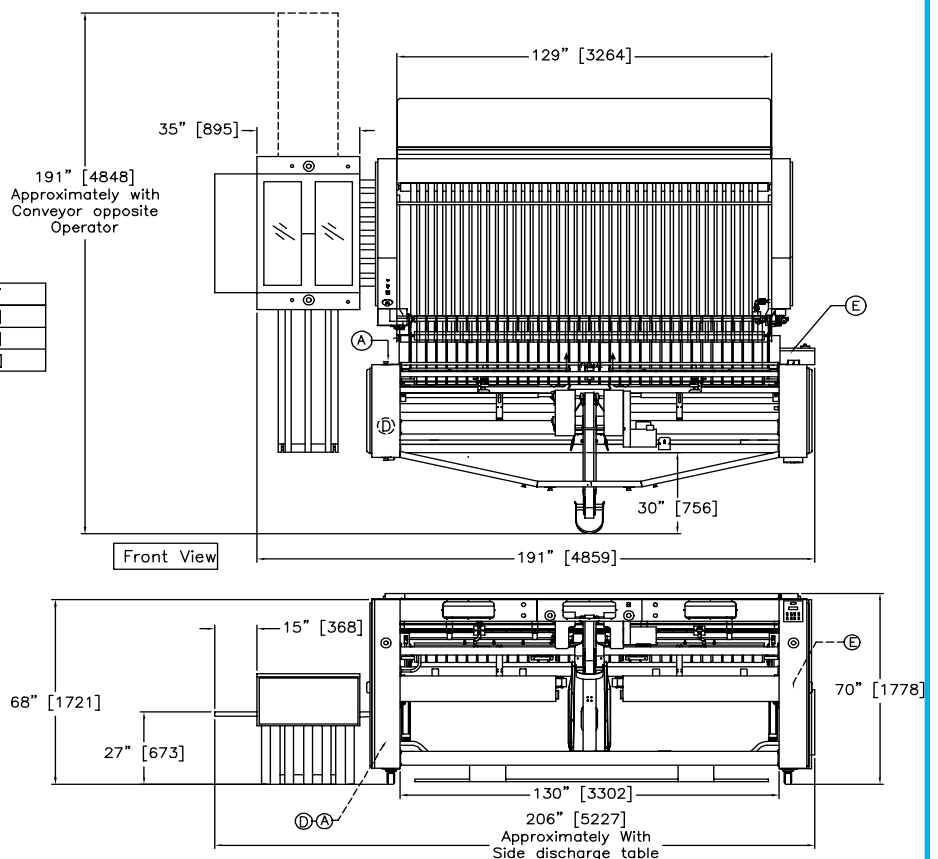
- Specifications subject to change without notice. Consult factory for certified construction floorplan.
- Millimeter dimensions are in [ ].
- All dimensions are + \- 1/2".
- Discharge configuration may be reversed in field.
- Utility connections are located as shown.
- Single point elect. power connection.
- Single point air connection.

CONNECTION(S)	DIA.	HEIGHT
(A) Air Connection	1/2"	16" [406]
(D) Compressed Air Drain	1/4"	13" [330]
(E) Electrical Connection	-	36" [914]

### Side View



### Top View



## A Complete Range of Separating, Feeding, Ironing, Folding, and Sorting Options

Because Chicago specializes only in flatwork finishing equipment, it can offer the world's widest range of high production separating, feeding, ironing, folding, and sorting equipment. An experienced Chicago professional will be pleased to make an objective equipment recommendation based on your production, space, utility, and budget requirements. Contact your local Chicago distributor or the factory sales assistance office for a no-obligation analysis of your needs. Visit our website, [www.chidry.com](http://www.chidry.com), to learn more about our complete line of flatwork finishing systems, including video of Chicago equipment in action.

**CHICAGO** CHICAGO DRYER COMPANY  
 2200 North Pulaski Road  
 Chicago, Illinois USA  
 60639-3737

Phone • 773.235.4430  
 Fax • 773.235.4439  
 Web • [www.chidry.com](http://www.chidry.com)  
 Email • [chicago@chidry.com](mailto:chicago@chidry.com) Bulletin #7552